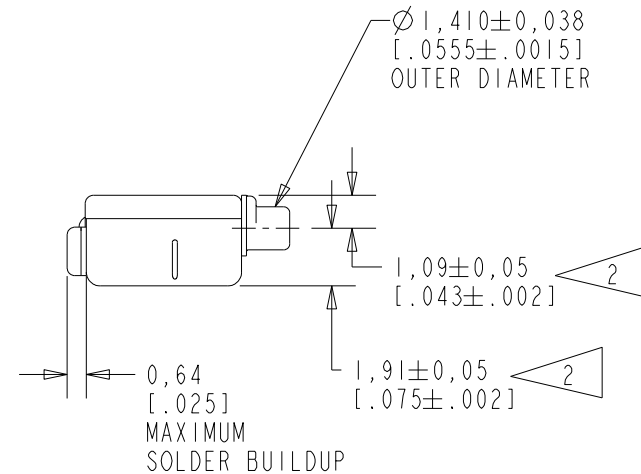
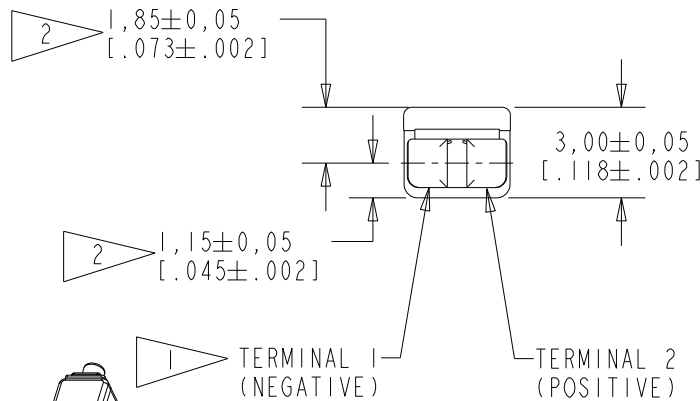
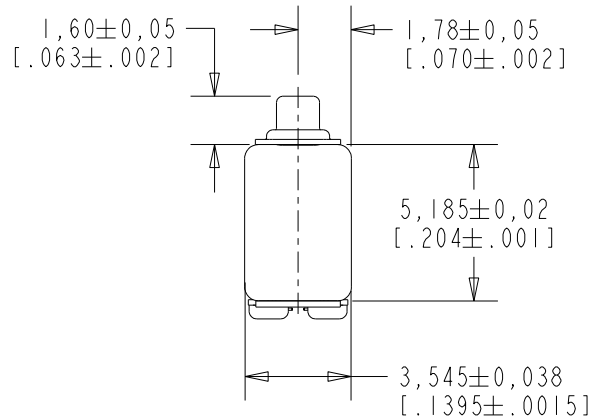


EH-27157-000

SHT 1.1

NOTES:

- 1 A POSITIVE GOING VOLTAGE AT TERMINAL 2, RELATIVE TO TERMINAL 1, CAUSES A DECREASE IN PRESSURE AT THE SOUND OUTLET.
- 2 LOCATED FROM TWO SURFACES FOR CUSTOMER CONVENIENCE. ONLY APPLICABLE FROM ONE SURFACE, NOT TO BE USED TOGETHER. HORIZONTAL LOCATION FOR TERMINAL CENTERED TO $\pm 0,17$ [.007].

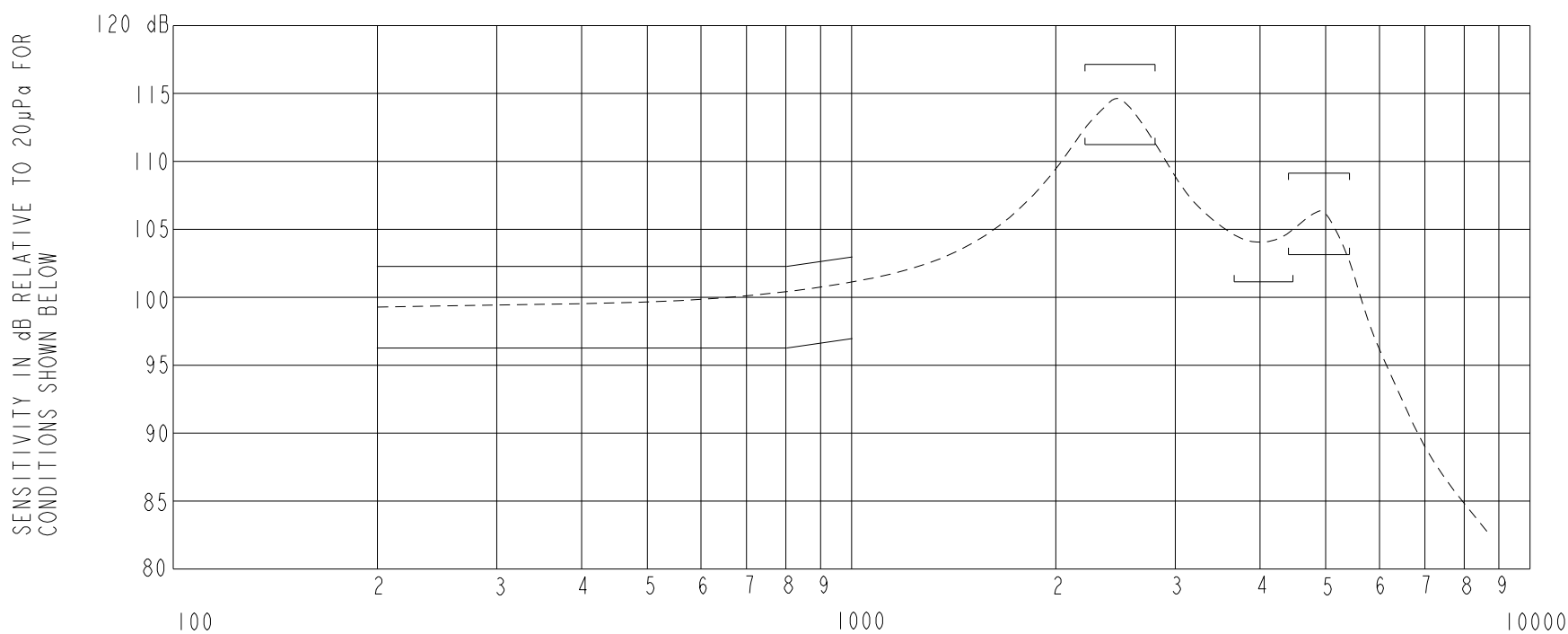


SCALE 2:1
 NOMINAL WEIGHT .23 GRAMS
 DIMENSIONS IN MILLIMETERS [INCHES]

KNOWLES CORPORATION

Revision	C.O. #	Implementation Date	RELEASE LEVEL	REVISION
B	PI0000990	11-25-16	Active	B
A	CI0103383	11-12-05		

SCALE: 4:1		DR. BY: AB	DATE: 11-12-05
DO NOT SCALE DRAWING			
TITLE: RECEIVER		EH-27157-000	
OUTLINE DRAWING		SHT 1.1	
		CK. BY: GJP	DATE: 11-21-05
		APP. BY: GJP	DATE: 11-21-05



NOTES:

FREQUENCY IN HERTZ

1. MEASUREMENTS MADE USING 10mm (.394") OF 1mm (.039") ID TUBE CONNECTED TO A SIMULATED ANSI S3.3-1960 TYPE HA-3 (IEC 60318-5).

FREQUENCY	SENSITIVITY	
	MIN.	MAX.
200	95.5	101.5
500	96.0	102.0
800	96.5	102.5
1000	97.0	103.0
2200-2800	111.0	117.0
3650-4450	101.0	---
4400-5400	103.0	109.0

- RESPONSE, IMPEDANCE, AND DISTORTION MEASUREMENTS MADE USING THE ELECTRICAL TEST CONDITIONS SHOWN BELOW.
- ELECTRICAL SOURCE IMPEDANCE MUST BE GREATER THAN 20 TIMES 1KHz IMPEDANCE FOR TEST CONDITIONS SHOWN BELOW.
- INDIVIDUAL SPECIFICATIONS.

PORT LOCATION	IMPEDANCE OHMS ±15%		DCR @20°C OHMS ±10%	DISTORTION		ELECTRICAL TEST CONDITIONS	
	1KHz	500Hz		MAX. %	FREQ Hz	AC mA RMS	DC mA
12C	1055	625	395	10	800	0.71	0.0

Revision	C.O. #	Implementation Date	RELEASE LEVEL	REVISION
B	PI0000990	11-25-16	Active	B
A	CI0103383	11-12-05		

KNOWLES CORPORATION

WHEN TEST LIMITS ARE USED TO ESTABLISH INCOMING INSPECTION ACCEPTANCE/REJECTION CRITERIA, CORRELATION OF TEST EQUIPMENT WITH KNOWLES IS ALSO REQUIRED FOR ELIMINATION OF EQUIPMENT AND TEST METHOD VARIATION

TITLE: RECEIVER
PERFORMANCE SPECIFICATION

EH-27157-000
SHT 2.1

DR. BY	DATE
AB	11-12-05
CK. BY	DATE
GJP	11-21-05
APP. BY	DATE
GJP	11-21-05